



# 1" MIN Series Size II Accessories

## MIN Series Size II Dummy Plugs



Dummy Plugs | Jumpered Pins | IP67 Rating



B

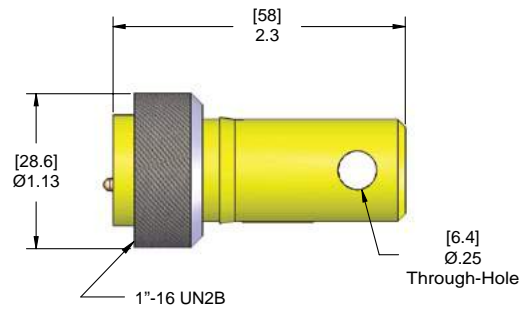
MIN Series Size II Cordsets

# of Poles	Male Faceview	Jumpers	Male Plugs	Female Plugs
6	<p>1"-16UN2</p>	1 to 2 4 to 5	MIN-6MP2-DP1	MIN-6FP2-DP1
7	<p>1"-16UN2</p>	1 to 2 3 to 4 5 to 6	MIN-7MP-DP1	MIN-7FP-DP1
8	<p>1"-16UN2</p>	1 to 2 3 to 4	MIN-8MP-DP1	MIN-8FP-DP1

Standard coupling nut is anodized aluminum, for stainless steel coupling nut add a "SS" suffix. (e.g. MIN-6FP2-DP1 becomes MIN-6FP2-DP1-SS)  
 Alternate wiring is available, please consult the factory.

### Specifications:

- Body: Oil Resistant Yellow PVC
- Contacts: Copper Alloy with Gold Plating
- Coupling Nut: Clear Anodized Aluminum
- Jumpers: 18 AWG
- Temperature: -40°C to +105°C (-40°F to +221°F)





# 1" MIN Series Size II Accessories

MIN Series Size II Accessories



Closure Caps & Plugs | Adapter Coupling | IP67 Rating

B

MIN Series Size II Cordsets

Metal/Plastic Closure Caps				
Closure Style	Part Number	Material	Threads	Mounting Hole Size
	MIN-2-CAP	Nickel Plated Brass	Female	0.13"
	MIN-2-CAP-CBLY	Nickel Plated Brass	Female	1.3"
	MIN-2-CAP-PASW	Polyamide NBR with Tether***	Female	0.76"
Metal Closure Plugs				
	MIN-2-PLUG	Nickel Plated Brass	Male	0.13"
	MIN-2-PLUG-CBLY	Nickel Plated Brass	Male	1.3"

NBR tether and stainless steel lanyard are available for all MIN-2-CAP and MIN-2-PLUG. Please consult the factory for part number and availability.  
 \*\*\*Tether mounts under receptacles with 1/2" NPT, M20 or M25 mounting threads and also serves as a gasket.

Adapter Coupling	Part Number	Material	Threads
	MIN-XMP2-AD	Nickel Plated Brass	Male
	MIN-XMP2-AD-SS	Stainless Steel	